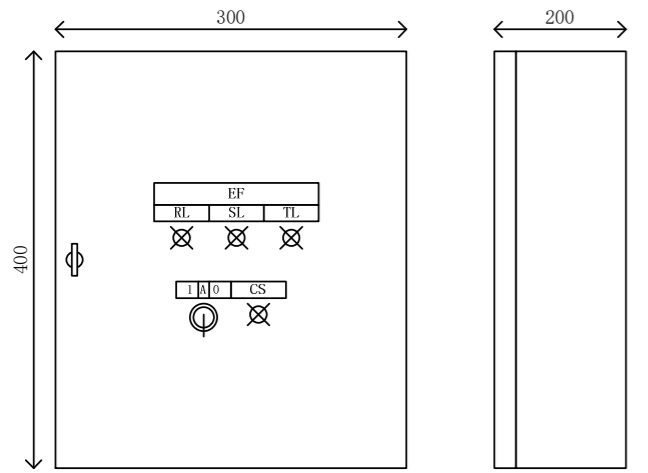


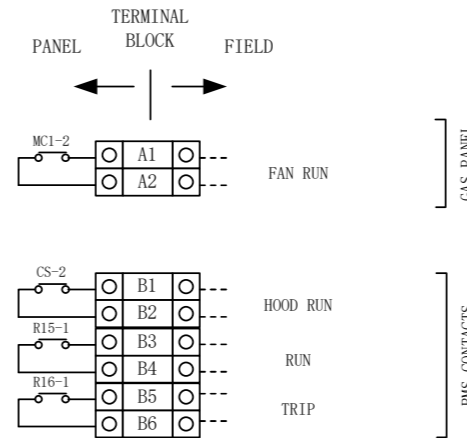
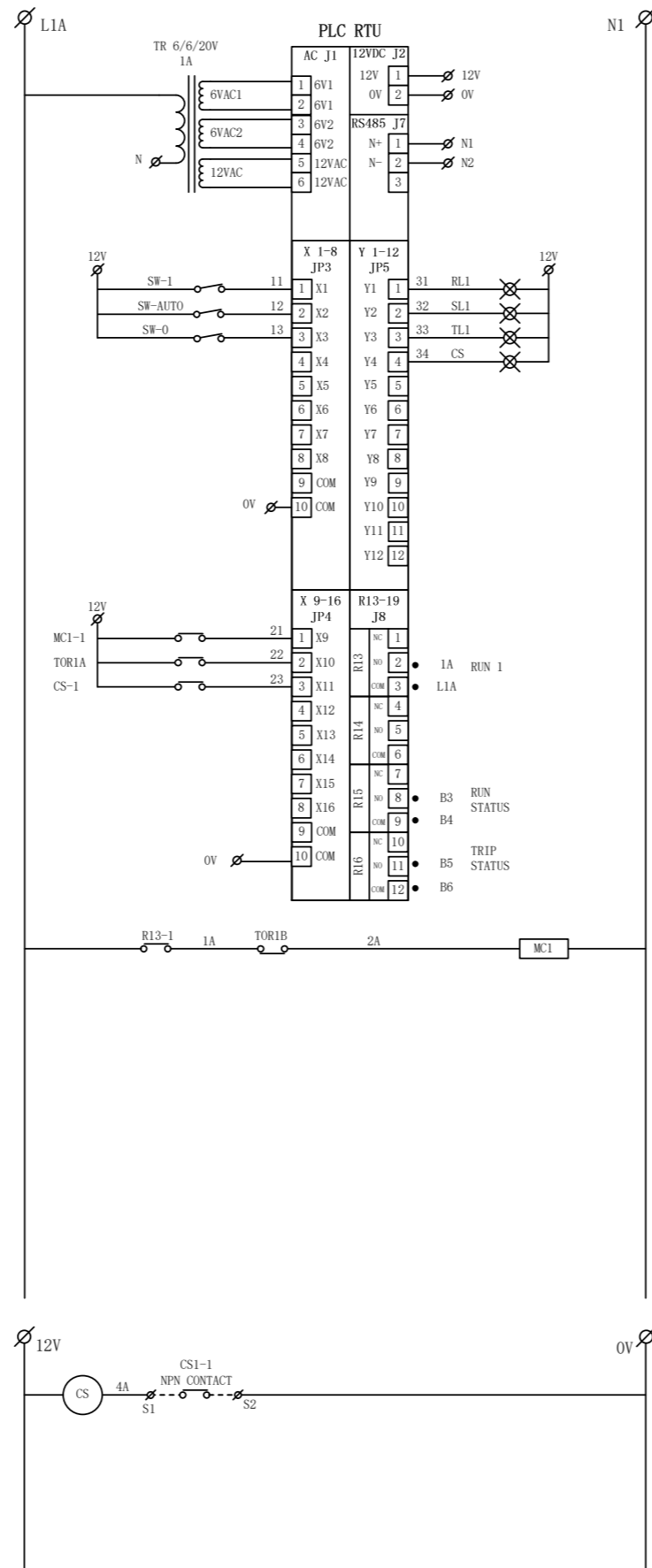
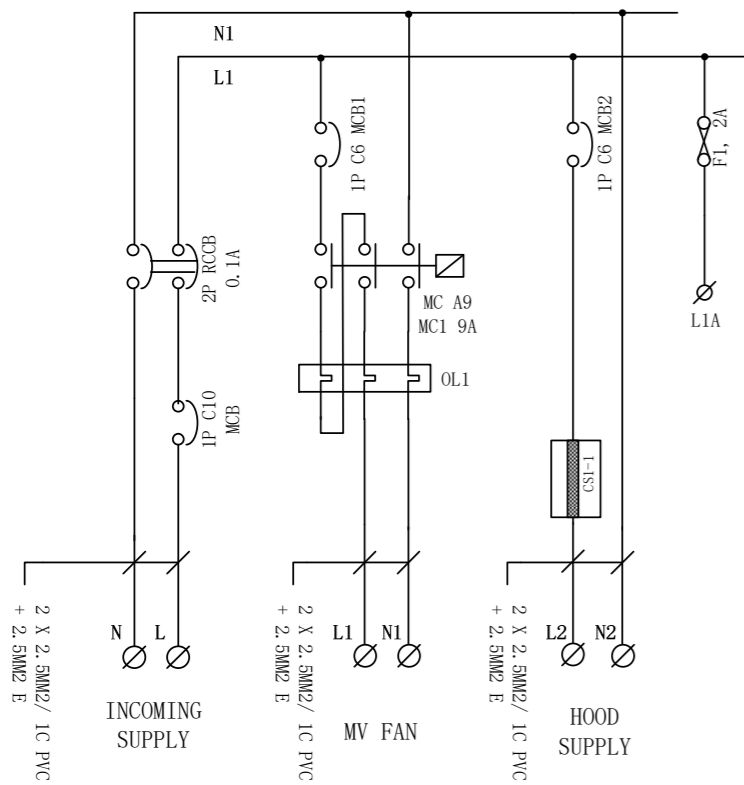
TABLE 1

ITEM	PANEL DESIGNATION	RATINGS	TOR
1	EF	1P/ 0.25 KW	1. 7-2. 4A



FRONT ELEVATION
IP55 ENCLOSURE

SIDE ELEVATION



REV.	DESCRIPTION	CHECK BY	DATE

- FEATURES :-
- ❖ SEL SWITCH FOR ON/ AUTO/ OFF (1/ A/ 0)
 - ❖ MODE = AUTO, INTERLOCK WITH HOOD RUN TO START FAN
 - ❖ MODE = 1, START FAN
 - ❖ MODE = 0, STOP FAN
 - ❖ FAN RUN CONTACT FOR GAS PANEL (GAS VALVE)
 - ❖ VOLT-FREE CONTACTS FOR BMS MONITORING FOR HOOD RUN, RUN AND TRIP
 - ❖ NOTE: HOOD RUN IS DETERMINED WHEN CURRENT SENSOR DETECTS CURRENT FLOW.

DRAWING TITLE
LOCAL CONTROL PANEL FOR EXHAUST FAN WITH INTERLOCK WITH GAS PANEL AND CURRENT SENSE SENSORS FOR HOOD RUN DETECTION

SCALE: NTS DRAWN BY: BALA

DATE: 24TH MAY 2015 CHECKED BY: WONG

DRAWING NUMBER
SP-EF-HOOD